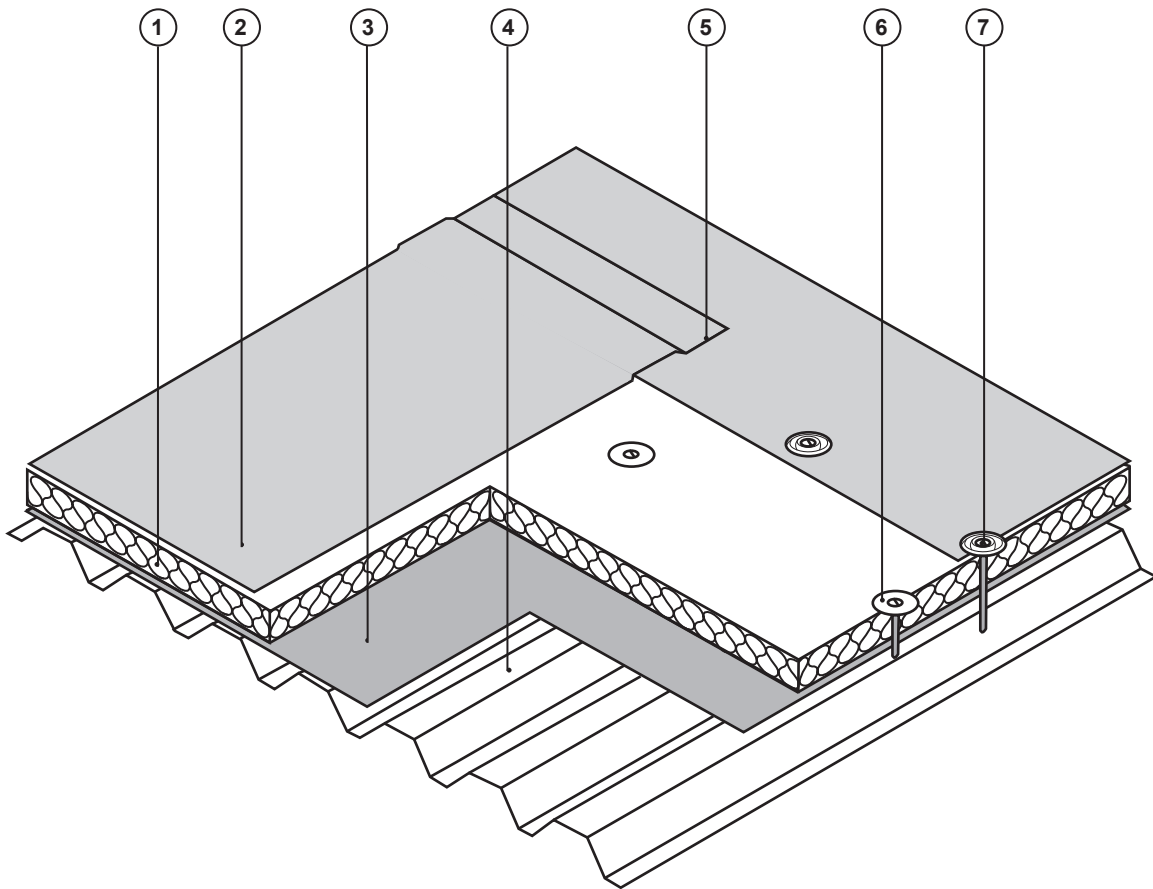


**Key**

1. Envirotech polyurethane insulation type FF mechanically fixed.
2. Envirotech EVA 1.2mm single ply membrane by mechanical attachment.
3. Enviroflex vapour control layer.
4. Metal deck.
5. Hot air welded seam.
6. Insulation fastener and seam plate.
7. Envirotech fastener and barbed seam plate.



**ENVIROTECH EVA**

Single Ply Roofing Systems

Interloc Building Solutions Limited  
Sybrig House, Ridge Way, Dalgety Bay, Fife, KY11 9JN  
Tel: +44 (0)8700 505 925 Fax: +44 (0)8700 505 926

Email: [info@interlocbuild.co.uk](mailto:info@interlocbuild.co.uk)  
[www.interlocbuild.co.uk](http://www.interlocbuild.co.uk)

Detail is valid only when approved by the Architect/Contractor concerned.

Title: Envirotech EVA Mechanically Fixed

Drawing Ref: ENV-MF-01 Scale: Not to Scale

Revision: A Date: January 2008

Note: this drawing is intended to illustrate the correct application of Interloc products only. All other elements are shown indicatively and are not intended to detail building construction.