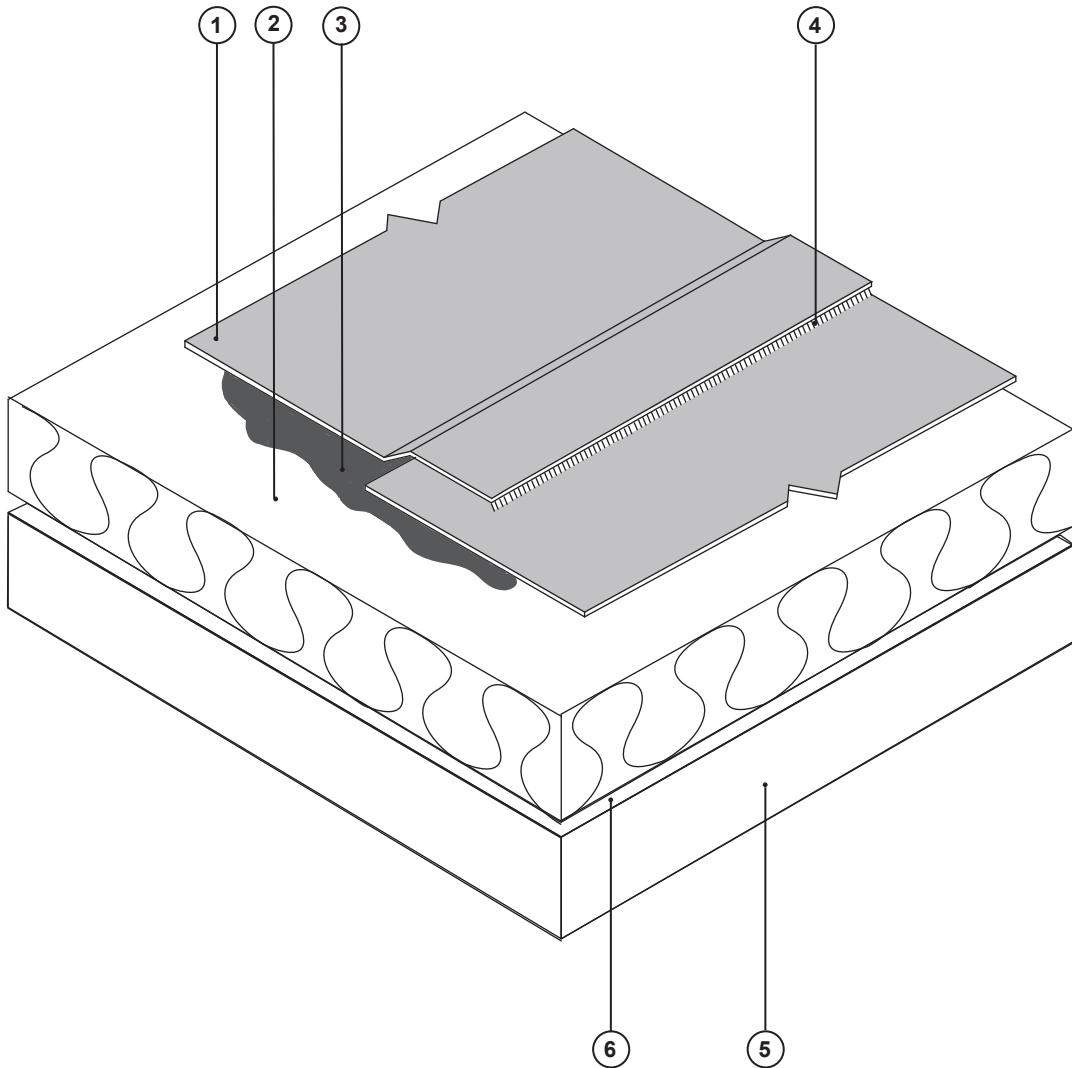


Key

1. Envirotech EVA fleece backed membrane.
2. Envirotech polyurethane insulation type GTF fully adhered or mechanically fastened.
3. Envirobond F200 fleece adhesive.
4. Hot air welded seam.
5. Deck: metal, concrete or timber.
6. Enviroflex vapour control layer.



ENVIROTECH EVA

Single Ply Roofing Systems

Interloc Building Solutions Limited
Sybrig House, Ridge Way, Dalgety Bay, Fife, KY11 9JN
Tel: +44 (0)8700 505 925 Fax: +44 (0)8700 505 926

Email: info@interlocbuild.co.uk
www.interlocbuild.co.uk

Detail is valid only when approved by the Architect/Contractor concerned.

Title: Envirotech EVA Fleece – Fully Adhered For New Build

Drawing Ref: ENV-FL-02

Scale: Not to Scale

Revision: A

Date: JAN 2008

Note: this drawing is intended to illustrate the correct application of Interloc products only. All other elements are shown indicatively and are not intended to detail building construction.