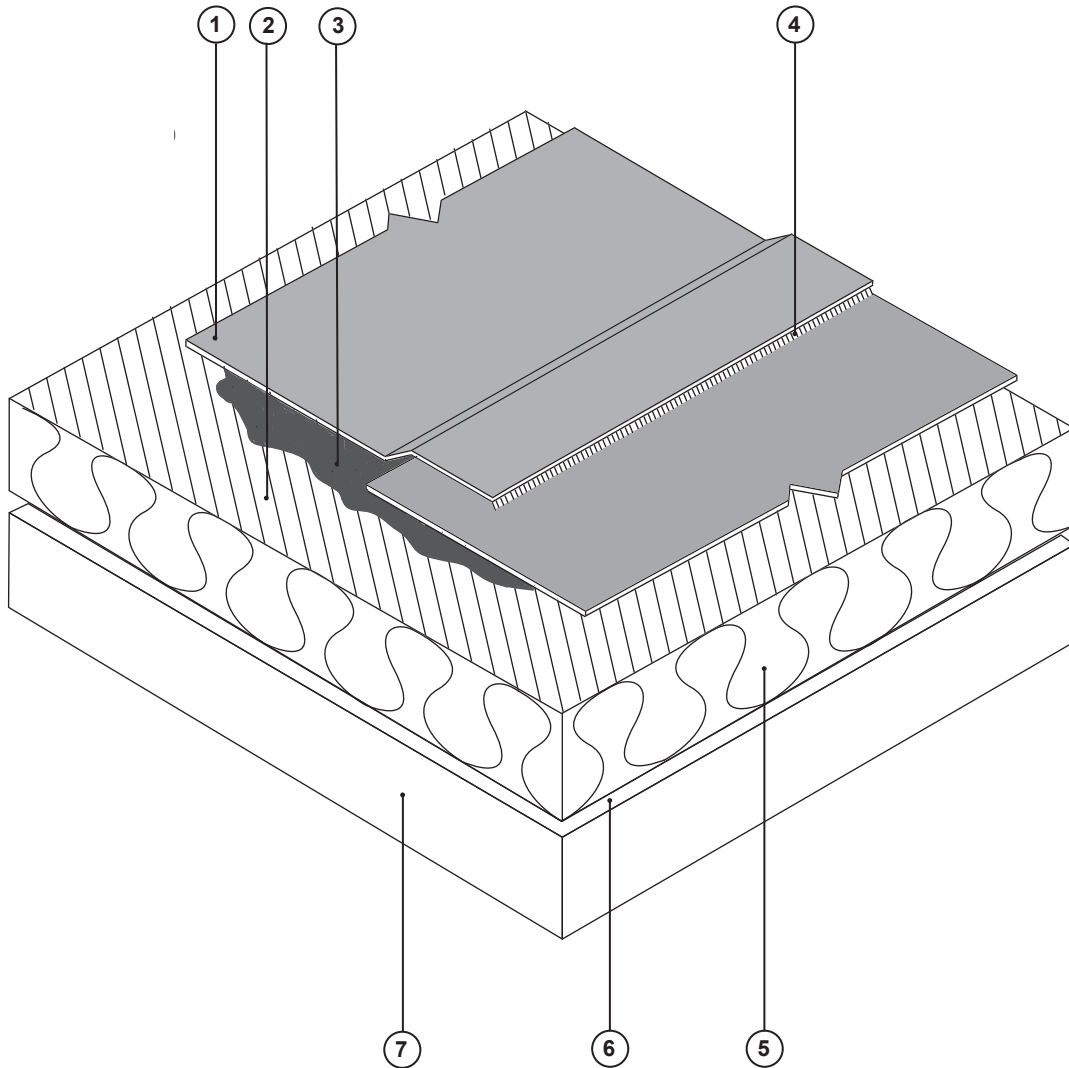


**Key**

1. Envirotech EVA fleece backed membrane.
2. Existing waterproofing. Cleaned & dressed to receive Envirotech fully adhered overlay.
3. Envirobond F200 fleece adhesive.
4. Hot air welded seam.
5. Existing Insulation.
6. Existing vapour barrier.
7. Deck: metal, concrete or timber.



**ENVIROTECH EVA**

Single Ply Roofing Systems

Interloc Building Solutions Limited  
Sybrig House, Ridge Way, Dalgety Bay, Fife, KY11 9JN  
Tel: +44 (0)8700 505 925 Fax: +44 (0)8700 505 926

Email: [info@interlocbuild.co.uk](mailto:info@interlocbuild.co.uk)  
[www.interlocbuild.co.uk](http://www.interlocbuild.co.uk)

Detail is valid only when approved by the Architect/Contractor concerned.

Title: Envirotech EVA Fleece - Fully Adhered For Refurbishment

Drawing Ref: ENV-FL-01

Scale: Not to Scale

Revision: A

Date: January 2008

Note: this drawing is intended to illustrate the correct application of Interloc products only. All other elements are shown indicatively and are not intended to detail building construction.