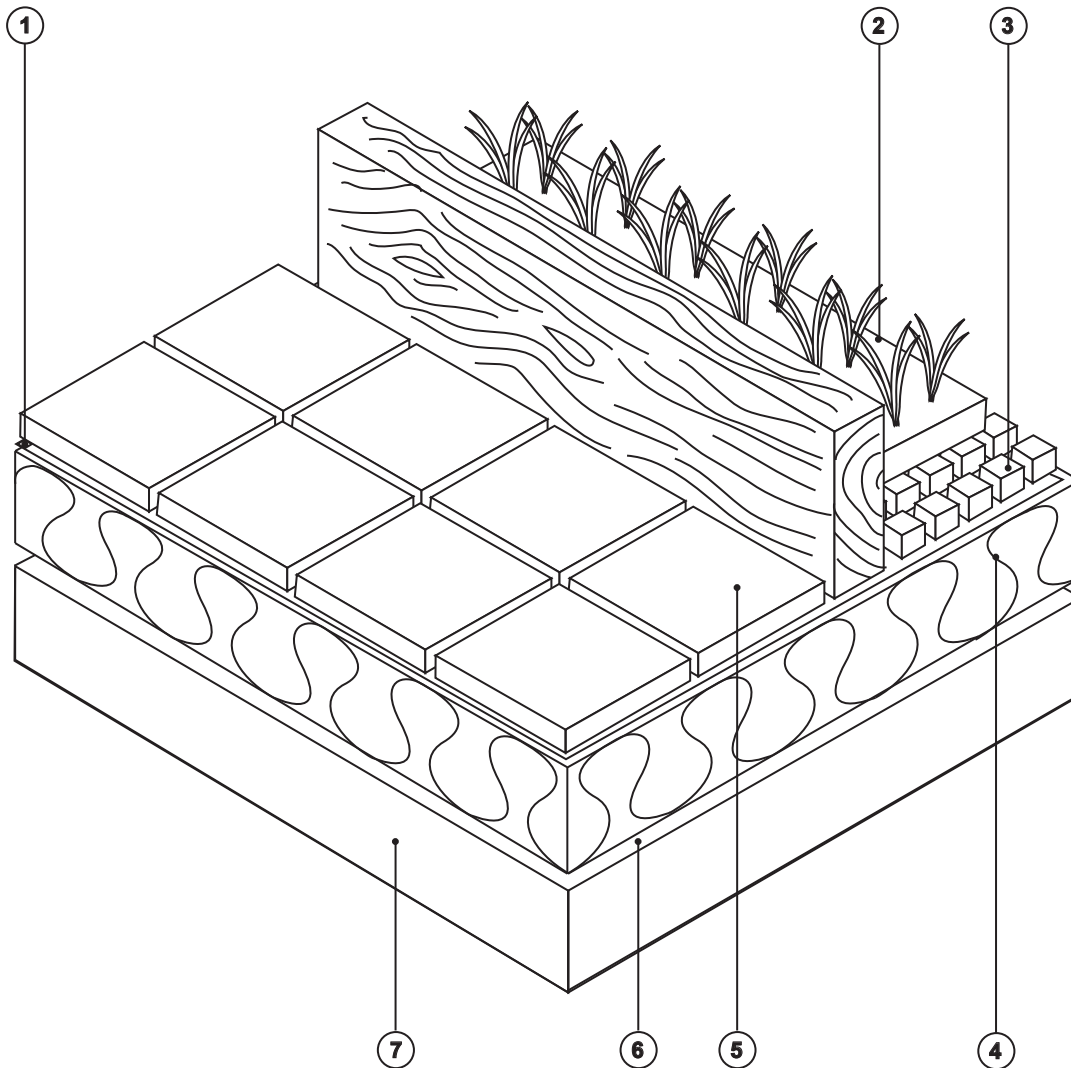


**Key**

- 1. Interloc filter sheet.
- 2. Roof garden.
- 3. Interloc drainage layer with filter sheet.
- 4. Envirotech extruded insulation.
- 5. Ballast or paving on Interloc paving supports.
- 6. Envirotech loose laid, heat weld laps.
- 7. Substrate.



**ENVIROTECH EVA**

Single Ply Roofing Systems

Interloc Building Solutions Limited  
Sybrig House, Ridge Way, Dalgety Bay, Fife, KY11 9JN  
Tel: +44 (0)8700 505 925 Fax: +44 (0)8700 505 926

Email: [info@interlocbuild.co.uk](mailto:info@interlocbuild.co.uk)  
[www.interlocbuild.co.uk](http://www.interlocbuild.co.uk)

Detail is valid only when approved by the Architect/Contractor concerned.

Title: Envirotech EVA For Green Or Ballasted Roofs

Drawing Ref: ENV-BA-01

Scale: Not to Scale

Revision: A

Date: January 2008

Note: this drawing is intended to illustrate the correct application of Interloc products only. All other elements are shown indicatively and are not intended to detail building construction.